

ACCESSORIES FLANGED CONNECTIONS

Flange



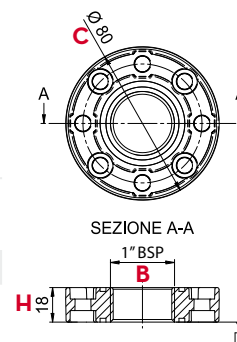
EN. Versatile for connecting different fastening bodies thanks to a special ring of shaped holes.

ES. Versátil en el conectar distintos órganos de fijación gracias a la especial corona de orificios.

RU. Универсальность обеспечивается возможностью подключать различные крепежные приспособления благодаря особому венцу с отверстиями.

PRODUCTS' RANGE

Code	Description	Inlet/Outlet		
		B	C mm	H mm
F08832000	Flange	1" BSP	80	18



Flange Kit

EN. O-rings guarantee tightness without requiring sealants. Available with NPT threads.

ES. La junta tórica garantiza la estanqueidad sin necesidad de utilizar selladores. Disponible con rosca NPT.

RU. Уплотнительное кольцо обеспечивает герметичность, не требуя герметики. Имеется с патрубком NPT.



Application examples



PRODUCTS' RANGE

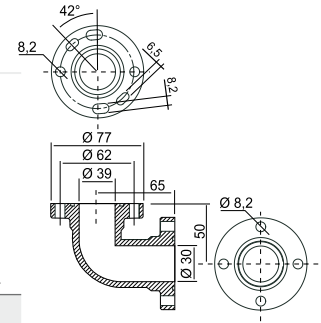
Code	Description	Flange	O-ring	Oval ring	Screw M8x20	Screw M8x30	Nut M8	Grub screw M8x50
		no.	no.	no.	no.	no.	no.	no.
R12904000	Kit Flange Oval ring	1	-	1	2	-	2	-
R09180000	Kit Flange O-ring	2	2	-	4	-	-	-
R1106200A	Kit Flange	1	1	-	2	-	-	-
R12906000	Kit Flange with nut	1	-	-	-	-	2	-
009779000	Kit Flange to connect meter	1	2	-	-	-	2	2
F08832000	Flange	1	-	-	-	-	-	-
R08985000	Oval ring	-	-	1	-	-	-	-
R08417000	O-ring	-	2	-	-	-	-	-
F08812000	Screw M8x20	-	-	-	10	-	-	-
F08043000	Screw M8x30	-	-	-	-	10	-	-
F19271000	Kit flange to connect filter	1	1	1	-	2	2	-

Flanged elbow



PRODUCTS' RANGE

Code	Description	O-ring no.	Screw M8x20 no.	Screw M8x30 no.	Nut M8 no.
R10824000	Flanged elbow	2	2	2	2



Flanged connections

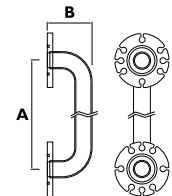
PRODUCTS' RANGE

Code	Description	Dimensions		
		A mm	B mm	C mm
R12229000	Flanged tube 130	130	67	
R1222800A	Flanged tube 300	300	67	
R13251000	Flanged tube 205	205	54,7	44,3
R13250000	Flanged tube 90°	121	131	

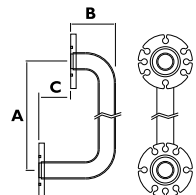
Application examples



Flanged tube 130
Flanged tube 300
Flanged tube 341



Flanged tube 205



Flanged tube 90°

